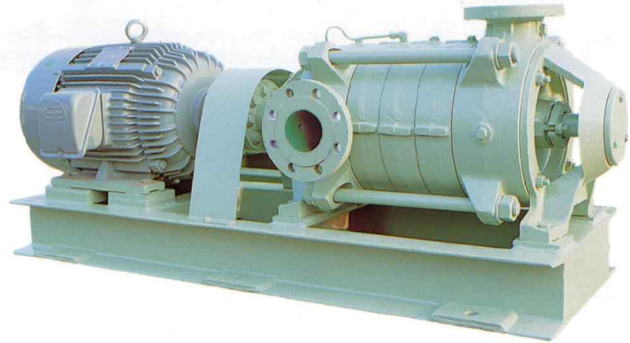


MT/MTA

Horizontal, Multi-Stage, Turbine Pumps

횡축, 다단 터빈펌프



20Bar / PN 20Bar

용도 및 적용 분야 / Usages and applications

청정, 저온 또는 고온 액체의 펌핑용으로서

01. 용수 플랜트
02. 난방(가열) 및 보일러 플랜트
03. 다양한 산업분야의 가압플랜트
04. 응축수 회수용에 사용된다.

For pumping clean, cold, hot liquid.

01. in water plants.
02. in heating and boiler plants.
03. in booster plants of various industrial branches.
04. for condensate recovery.

운전 데이터 / Operating data

01. 유량 : 400m³/hr까지
02. 양정 : 250m 까지
03. 운전 압력 : 25kg/cm² 까지
04. 운전 온도 : 140°C 까지

01. Capacity : up to 400m³/hr
02. head : up to 250m
03. Operating pressure : up to 25kg/cm²
04. Operating Temperature : up to 140°C

케이싱부 / Casing parts

흡입, 토출, 중간 케이싱은 O-Ring으로 밀봉되어 있으며 타이 볼트로 결속된다.

Tie bolt hold together suction, discharge, stage casing which are sealed up by O-Ring.

수력학적 특성 / Hydraulics

임펠러 다음에는 디퓨저가 위치하여 효율을 극대화 한다.

The impeller followed by diffuser maximize the efficiency of pump.

축추력 보정 / Axial thrust compensation

편흡입 임펠러들에 의해 발생하는 축추력은 밸런스 홀에 의해 흡수된다.

The axial thrust caused by the single-entry impeller is absorbed by balance-holes.

회전방향 / Direction of rotation

구동기측에서 보아 시계방향이다.

Normally the direction of rotation is clockwise seen from the driver.

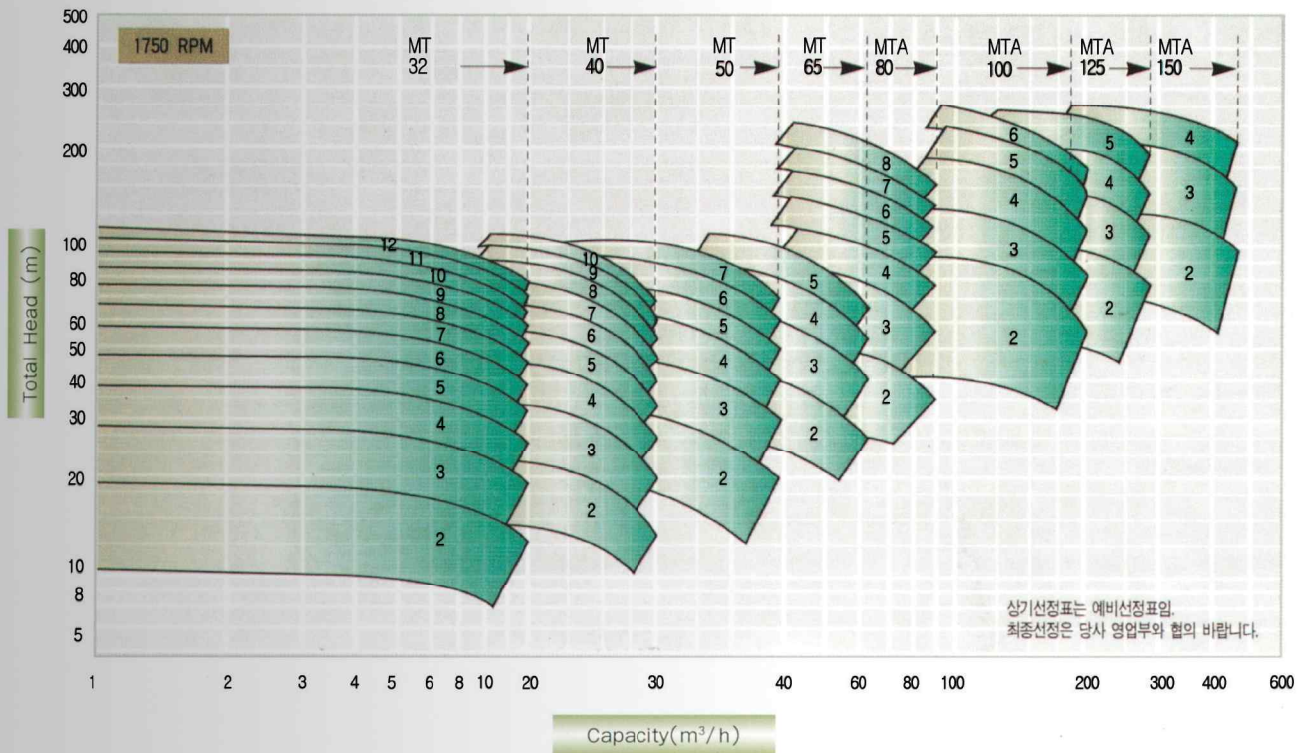
형식 표시 방법 / Type nomenclature

MTA 80-2S

MT 50-2S

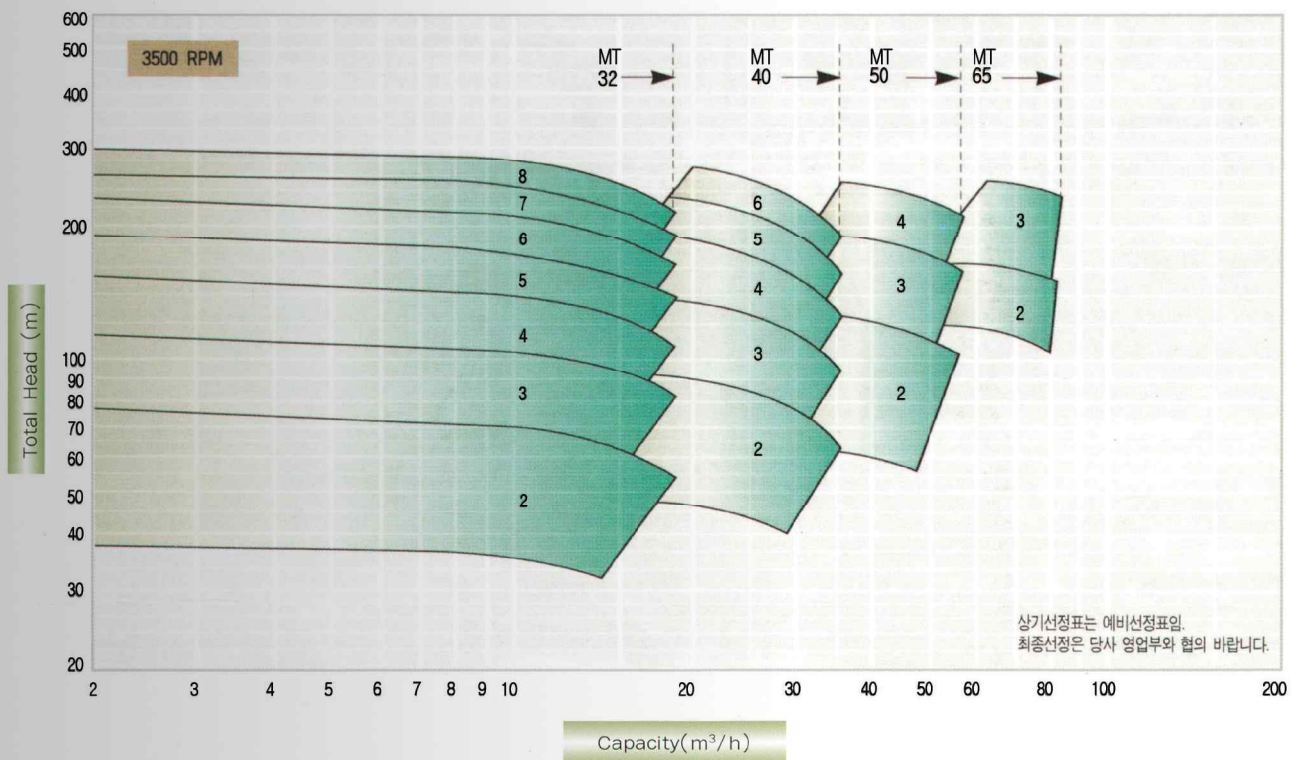
- ▶ 씨리즈(Series) _____
- ▶ 사이즈/토출구경(Size/Nominal dia. of discharge nozzle) _____
- ▶ 단수(Number of stage) _____

선정표(60HZ에서) / Performance selection chart(60Hz)



* The out of the above range can be supplied according to customer's order placement.

선정표(60HZ에서) / Performance selection chart(60Hz)

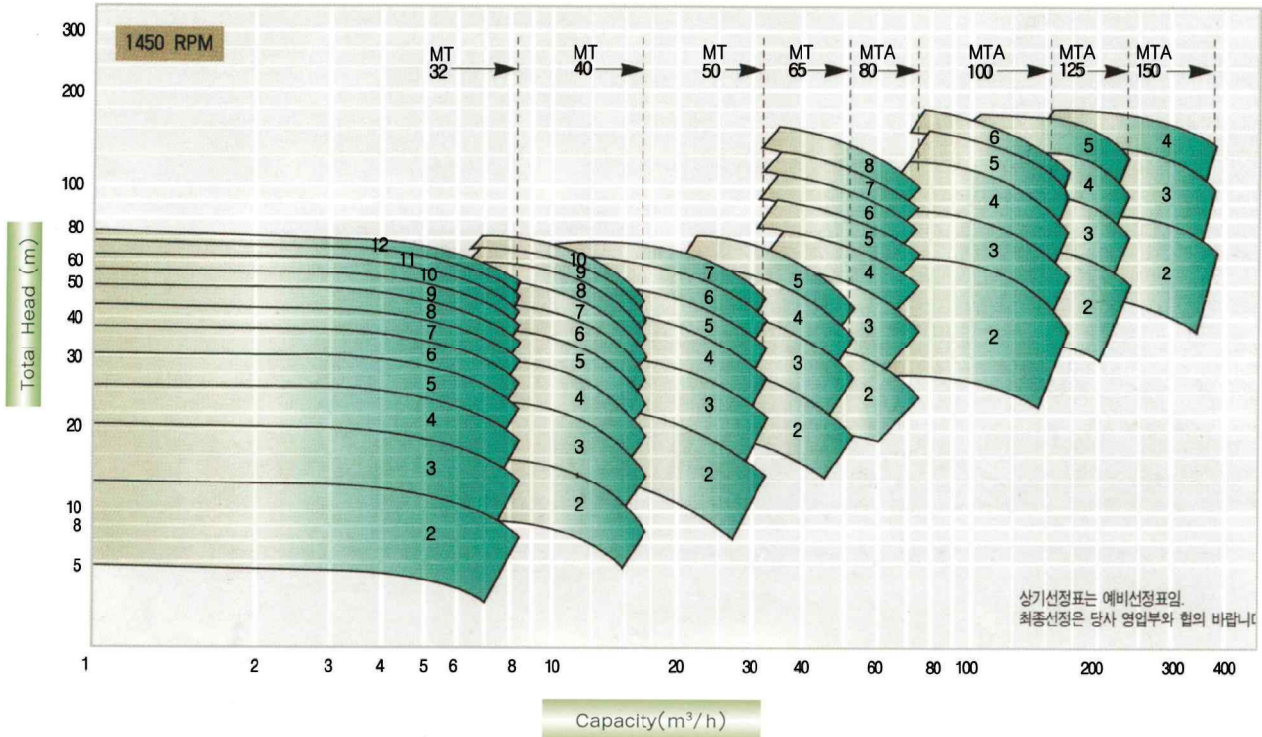


* The out of the above range can be supplied according to customer's order placement.

MT/MTA

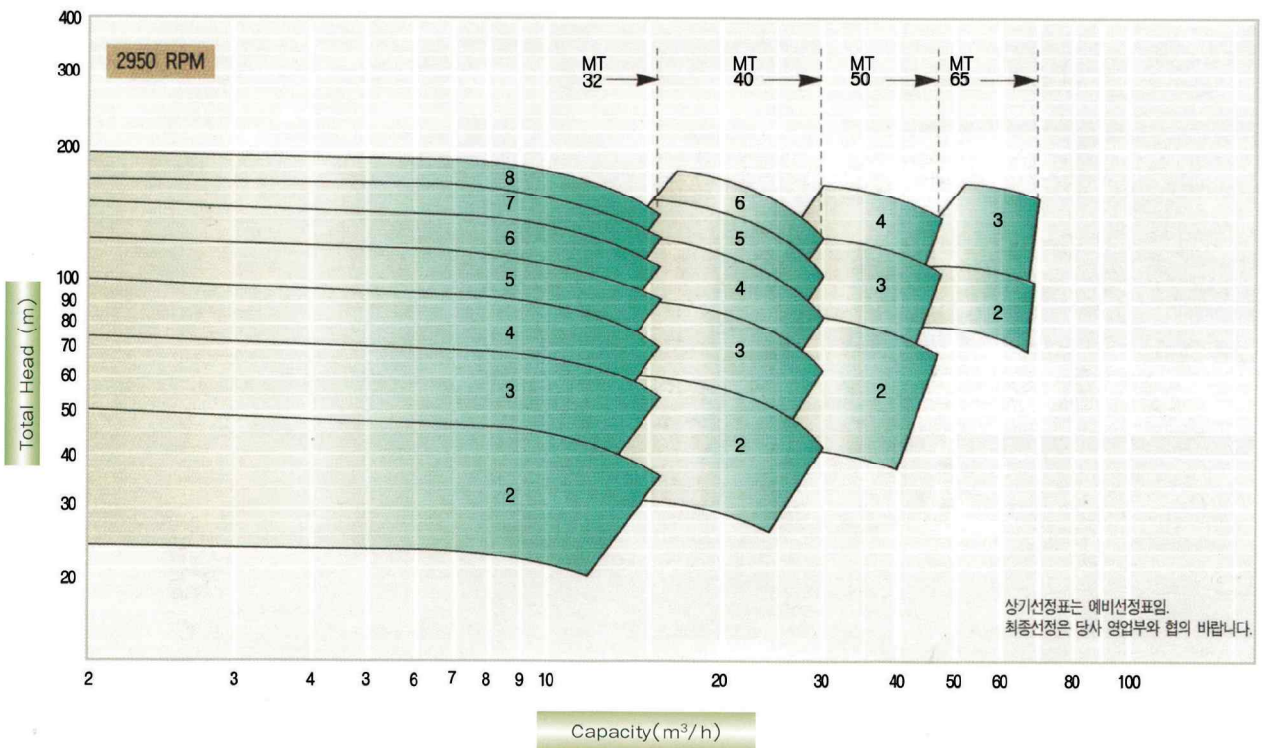
MT/MTA

선정표(50HZ에서) / Performance selection chart(50Hz)



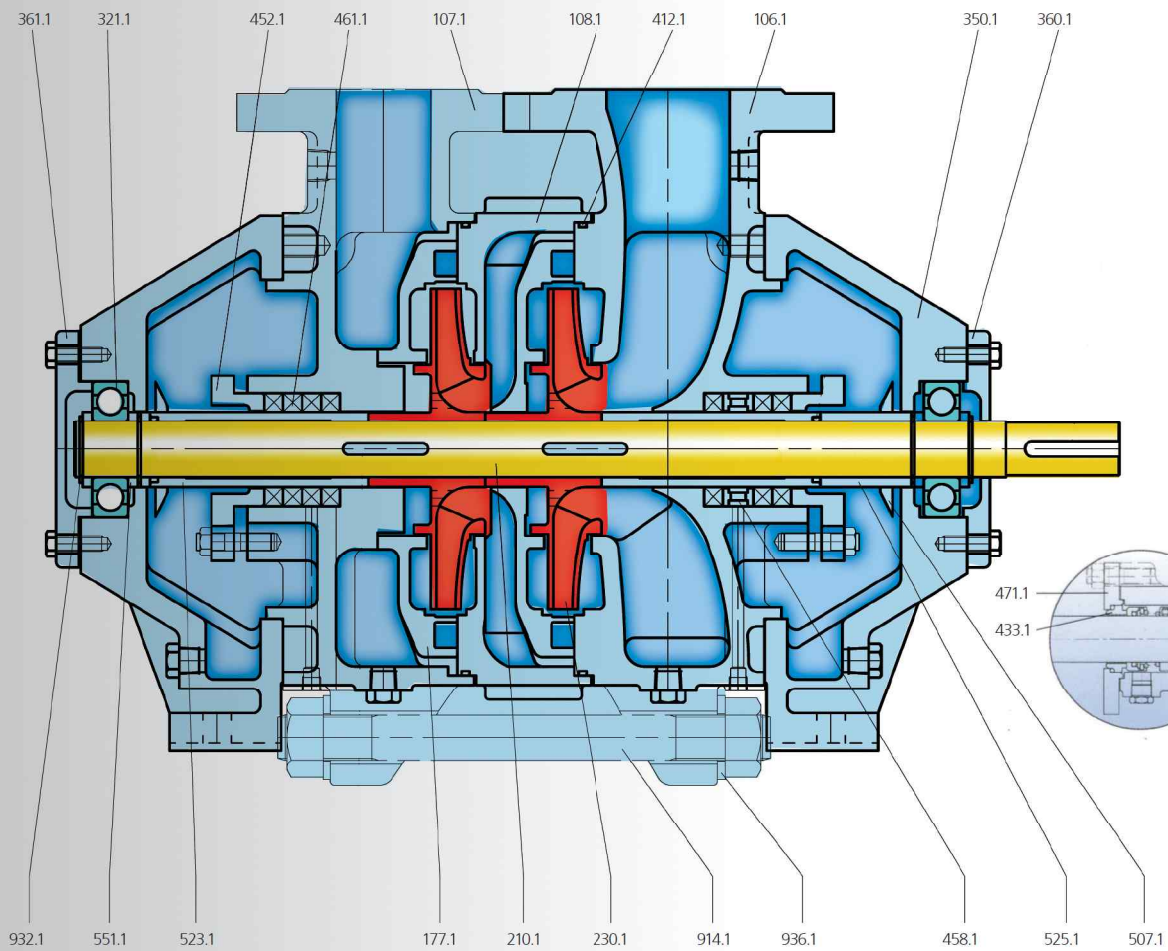
* The out of the above range can be supplied according to customer's order placement.

선정표(50HZ에서) / Performance selection chart(50Hz)



* The out of the above range can be supplied according to customer's order placement.

MT 조립 단면도 / MT Sectional drawing



※ APPLICATION : UP TO MT 65

NO.	PART NAME	MATERIAL	
		NAME	KS
106.1	SUCTION CASING	CAST IRON	GC 200
107.1	DISCHARGE CASING	CAST IRON	GC 200
108.1	STAGE CASING	CAST IRON	GC 200
177.1	DIFFUSER(LAST STAGE)	CAST IRON	GC 200
210.1	SHAFT	CARBON STEEL	SM 45C
230.1	IMPELLER	CAST IRON	GC 200
321.1	BALL BEARING	BEARING STEEL	STB 2
350.1	BEARING HOUSING	CAST IRON	GC 200
360.1	BEARING COVER	CAST IRON	GC 200
361.1	BEARING END COVER	CAST IRON	GC 200
412.1	O-RING	RUBBER	EPDM
*433.1	MECHANICAL SEAL	•	•

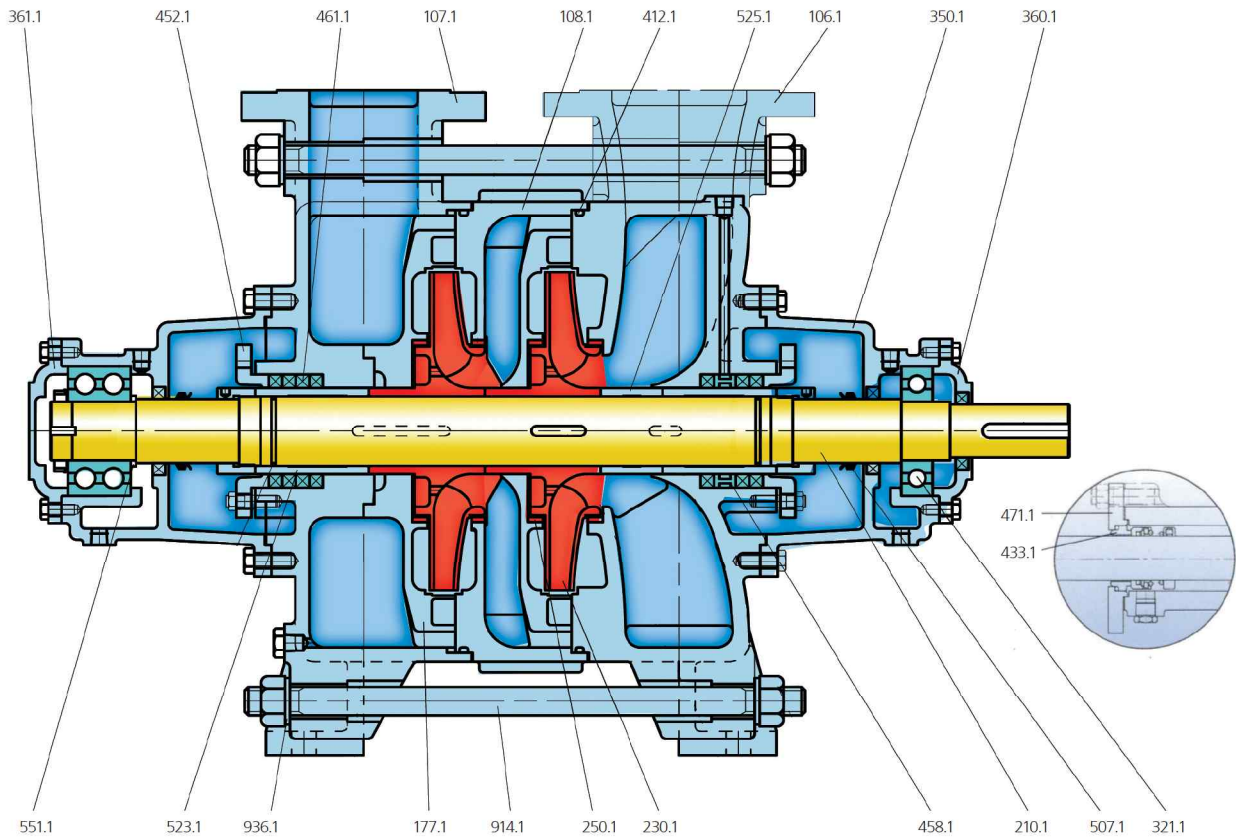
NO.	PART NAME	MATERIAL	
		NAME	KS
452.1	PACKING GLAND	CAST IRON	GC 200
458.1	LANTERN RING	BRONZE	CAC 406
461.1	PACKING	•	•
*471.1	SEAL COVER	STAINLESS STEEL	STS 304
507.1	THROWER	RUBBER	NBR
523.1	SHAFT SLEEVE	STAINLESS STEEL	STS 304
525.1	SPACER SLEEVE	STAINLESS STEEL	STS 304
551.1	SPACER DISC	STAINLESS STEEL	STS 304
914.1	TIE BOLT	CARBON STEEL	SM 45C
932.1	RETAINING RING(C TYPE)	SPRING STEEL	SK 5M
936.1	PLAIN WASHER	MILD STEEL	SS 400

*OPTION

MT/MTA

MT/MTA

MTA 조립 단면도 / MTA Sectional drawing



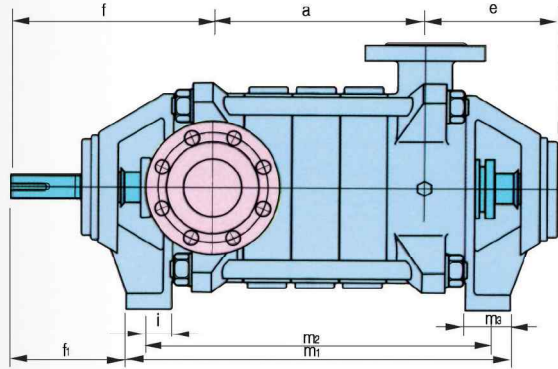
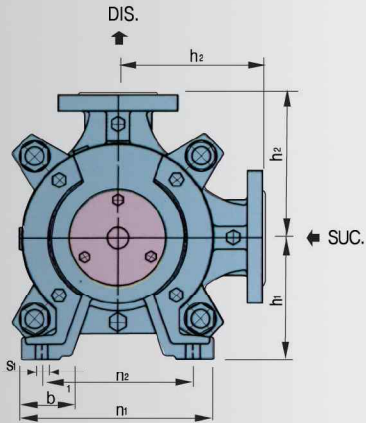
※ APPLICATION : 80 UP TO MTA 150

NO.	PART NAME	MATERIAL	
		NAME	KS
106.1	SUCTION CASING	CAST IRON	GC 200
107.1	DISCHARGE CASING	CAST IRON	GC 200
108.1	STAGE CASING	CAST IRON	GC 200
177.1	DIFFUSER(LAST STAGE)	CAST IRON	GC 200
210.1	SHAFT	CARBON STEEL	SM 45C
230.1	IMPELLER	CAST IRON	GC 200
250.1	CASING WEAR RING	BRONZE	CAC 406
321.1	BALL BEAIRNG	BEARING STEEL	STB 2
350.1	BEARING HOUSING	CAST IRON	GC 200
360.1	BEARING COVER	CAST IRON	GC 200
361.1	BEARING END COVER	CAST IRON	GC 200
412.1	O-RING	RUBBER	EPDM

NO.	PART NAME	MATERIAL	
		NAME	KS
*433.1	MECHANICAL SEAL	•	•
452.1	PACKING GLAND	CAST IRON	GC 200
458.1	LANTERN RING	BRONZE	CAC 406
461.1	PACKING	•	•
*471.1	SEAL COVER	STAINLESS STEEL	STS 304
507.1	THROWER	RUBBER	NBR
523.1	SHAFT SLEEVE	STAINLESS STEEL	STS 304
525.1	SPACER SLEEVE	STAINLESS STEEL	STS 304
551.1	SPACER DISC	STAINLESS STEEL	STS 304
914.1	TIE BOLT	CARBON STEEL	SM 45C
936.1	PLAIN WASHER	MILD STEEL	SS 400

*OPTION

MT 외형치수도 / MT Outline dimensions



< UPTO MT 65 >

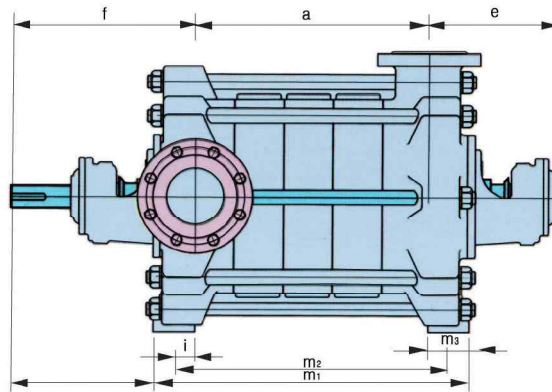
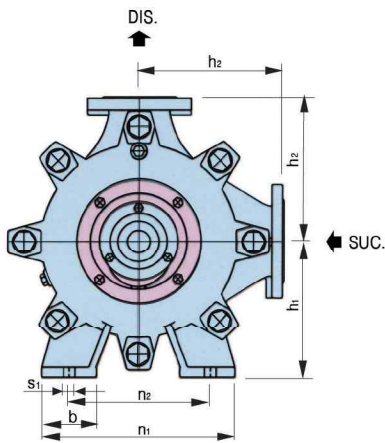
TYPE	NUMBER OF STAGE	BORE		PUMP DIMENSION(MM)														
		SUC.	DIS.	a	e	f	f1	h1	h2	b	c1	i	m1	m2	m3	n1	n2	s1
MT 32	2	Ø 40	Ø 32	114	160	229	129	132	160	60	19	34	314	264	59	186	136	15
	3			157									357	307				
	4			200									400	350				
	5			243									443	393				
	6			286									486	436				
	7			329									529	479				
	8			372									572	522				
	9			415									615	565				
	10			458									658	608				
	MT 40			2									Ø 50	Ø 40				
3		188	396	346														
4		243	451	401														
5		298	506	456														
6		353	561	511														
7		408	616	566														
8		463	671	621														
MT 50		2	Ø 65	Ø 50	151	173	238	127	160	190	50	20			34	375	325	59
	3	213			437								387					
	4	275			499								449					
	5	337			561								511					
	MT 65	2			Ø 80								Ø 65	180		193	256	
3		251	487	437														
4		322	558	508														

• 치수는 참고용임

MT/MTA

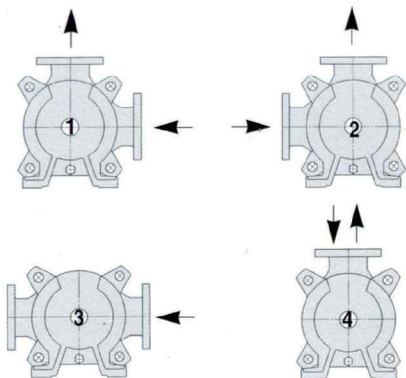
MT/MTA

MTA 외형치수도 / MTA Outline dimensions



<UP TO MTA 150>

TYPE	NUMBER OF STAGE	BORE		PUMP DIMENSION(MM)														
		SUC.	DIS.	a	e	f	f1	h1	h2	b	c1	i	m1	m2	m3	n1	n2	s1
MTA 80	2	Ø 100	Ø 80	236	270	355	275	250	280	95	20	50	396	336	80	360	280	23
	3			482									422					
	4			568									508					
	5			645									594					
	6			740									680					
	7			826									766					
	8			912									852					
MTA 100	2	Ø 125	Ø 100	292	125	360	270	300	315	120	22	55	472	402	90	420	340	23
	3			579									509					
	4			686									616					
	5			793									723					
	6			900									830					
MTA 125	2	Ø 150	Ø 150	341	150	410	320	355	400	130	30	70	512	441	110	500	400	27
	3			647									567					
	4			773									693					
	5			899									819					
MTA 150	2	Ø 200	Ø 150	412	200	410	310	400	450	135	32	70	612	512	120	550	450	27
	3			759									659					
	4			906									806					



☒● Branch position when viewed form coupling side

PUMP TYPE	BRANCH POSITION			
	1	2	3	4
MT 32				
MT 40	●	●	●	●
MT 50	●	●	●	●
MT 65				
MTA 80				
MTA 100	●			
MTA 125				
MTA 150				

• 치수는 참고용임