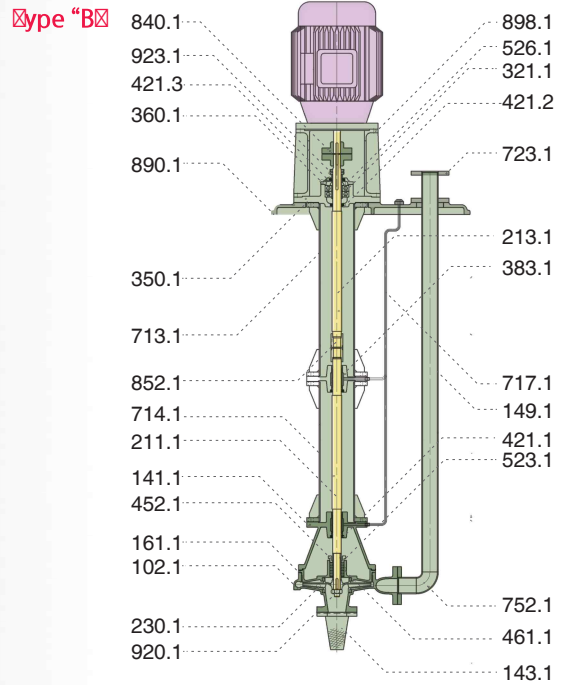
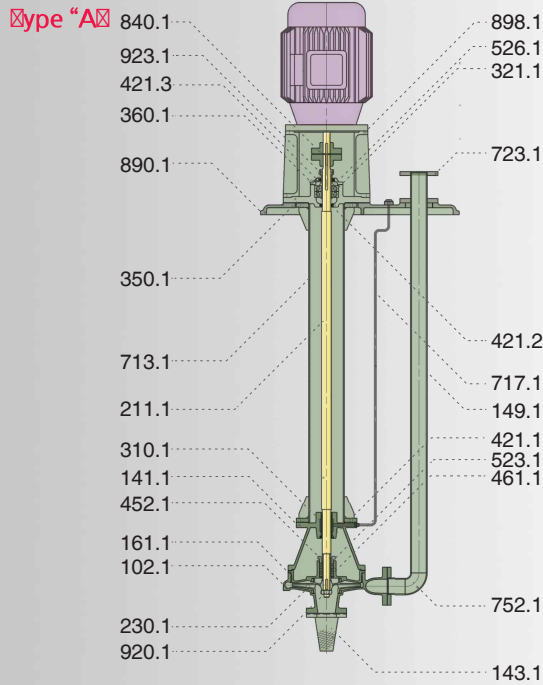


조립 단면도 / Sectional drawing

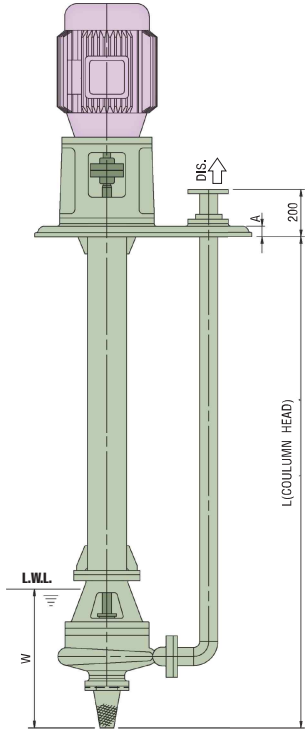


No	PART NAME	MATERIA						Q'ty
		CLASS	CLASS	CLASS	CLASS	CLASS	CLASS	
102.1	VOLUTE ASING	GC 200	GC 250	GCD 450	SSC 13	SSC 14	SSC 16	1
141.1	ADAPTER	GC 200			SSC 13	SSC 14	SSC 16	1
143.1	SUCTION AINER	STS 304				STS 316	STS 316L	1
161.1	CASING OVER	GC 200	GC 250	GCD 450	SSC 13	SSC 14	SSC 16	1
210.1	SHAFT(UPPER)	SM 45C			STS 304	STS 316	STS 316L	1
211.1	SHAFT(LOWER)	SM 45C			STS 304	STS 316	STS 316L	1
230.1	IMPELLER	GC 200	GC 250	GCD 450	SSC 13	SSC 14	SSC 16	1
310.1	SLEEVE BEARING	LBC 4			CARBON			
321.1	BALL BEARING	STB 2						1SET
350.1	BEARING HOUSING	GC 200						1
360.1	BEARING OVER							1
383.1	BEARING IDER	GC 200			SSC 13	SSC 14	SSC 16	1
452.1	PACKING AND	CAC 406			SSC 13	SSC 14	SSC 16	1
458.1	LANTERN ING				SSC 13	SSC 14	SSC 16	1SET
461.1	PACKING	NON ETALLIC						1
502.1	CASING WEAR ING	CAC 406			SSC 13	SSC 13	SSC 16	1
523.1	SHAFT EEVE	STS 304				STS 316	STS 316L	1
526.1	BEARING EAT	SM 45C						1
149.1	DISCHARGE IPE				STS P	STS 316TP	STS 316LTP	1
711.1	COLUMN IPE	SPP+ 400			+STS 4	+STS 316	+STS 316L	1
711.2	COLUMN IPE							1
852.1	SCREWED OUPLING	STS 304			STS 304	STS 316	STS 316L	1
861.1	COUPLING	GC 200						

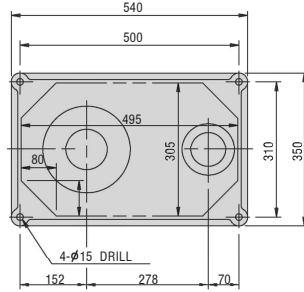
Model	E		E		E		E		E	
Column)	0.8~1.6	1.8~2.8	0.8~1.6	1.8~3.0	0.8~1.8	2.0~3.2	0.8~2.0	2.2~3.4	1.0~2.2	2.4~3.8
Type	A	B	A	B	A	B	A	B	A	B

EWV

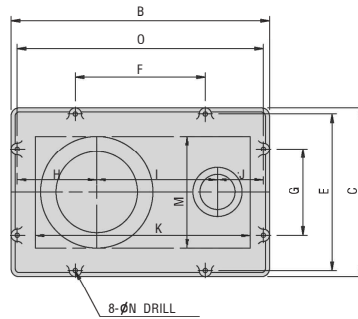
외형치수도 / Outline dimensions



☒type "A"☒



☒type "B"☒



☒A☒☒E A

· 치수는 참고용임

☒Y☒E	☒IS☒ BORE	PUMP & BASE PLATE DIMENSION														
		A	☒	C	☒	E	☒	☒	H	I	☒	☒	M	N	☒	
40A	Ø 32	TYPE "A" :30	670	430	630	390	330	220	220	280	130	570	330	15	280	
40B																
50A	Ø 40	TYPE "B" :55	770	500	730	460	430	250	240	345	145	670	400		330	300
50B																
50C																
65B	Ø 50	770	500	730	460	430	250	240	345	145	670	400	330	330		
65C																
65CX	Ø 65	55	880	560	840	520	440	300	285	400	155	780	460	415		
80B																
80C	Ø 80	55	920	590	880	550	460	300	285	430	165	820	490	445		
80D																
100B	Ø 100	55	980	560	840	520	440	320	310	400	155	780	460	525		
100C																
100D	Ø 125	70	1030	640	1020	600	530	320	310	525	185	960	540	570		
125B																
125C	Ø 100	55	920	590	880	550	460	300	285	430	165	820	490	525		
125D																
125E	Ø 125	70	1060	640	1020	600	530	320	310	525	185	960	540	640		
150B																
150C	Ø 125	55	1060	640	1020	600	530	320	310	525	185	960	540	570		
150D																
150E																

☒A☒☒E ☒

Column Head에 따른 Baseplate 적용표

MODEL	EWV-40A☒☒☒☒50A☒☒☒☒☒☒☒☒		그 외 전 MODEL(The other model)☒
	☒☒☒☒☒☒	☒☒☒☒☒☒	
Column head(mm)	A	B	ALL
Type			B